



Hi-Flow titanium 13-75kW

Hi-Flow titanium is a spiral heat exchanger made of titanium for the most demanding installations where there is a high risk of corrosion. Titanium is ideal for swimming pools with salt water or where a salt generator/chlorinator is used. Hi-Flow is also suitable for installations where the pressure on the hot water side is very high. Suitable for pools up to 300m³.

Maximum pressure secondary circuit (pool water) is 5 bar and primary circuit (hot water) is 30 bar.

Hi-Flow is a **spiral heat exchanger** made of **titanium**, the ideal material when a **chlorinator** is used. Handles **installations with high pressure**.

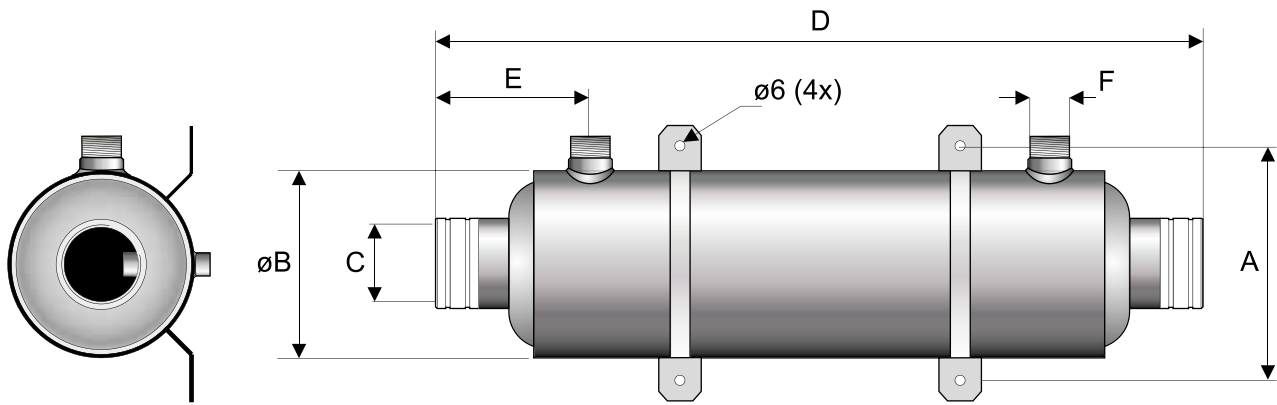
Features and benefits

- **Titanium** - Best possible quality and life, for swimming pools with salt water or where a salt generator/chlorinator is used.
- **Coil for the heating medium** - For installations that operate under high pressure.
- **Connections with interior thread (secondary side)** - Several connection possibilities.
- **Pocket for probe** - Simple installation of external temperature sensor.
- **Adjustable brackets of acid-resistant stainless steel** - For simpler and more flexible installation.
- **Three sizes 28, 70 and 75 kW** - For swimming pools of up to 300 m³.
- **Connects to boiler, heat pump, solar panel system or other heat source** - Suits all installations.
- **Approved in accordance with the Pressure Equipment Directive (PED 97/23 / EC)** - Important for product safety.

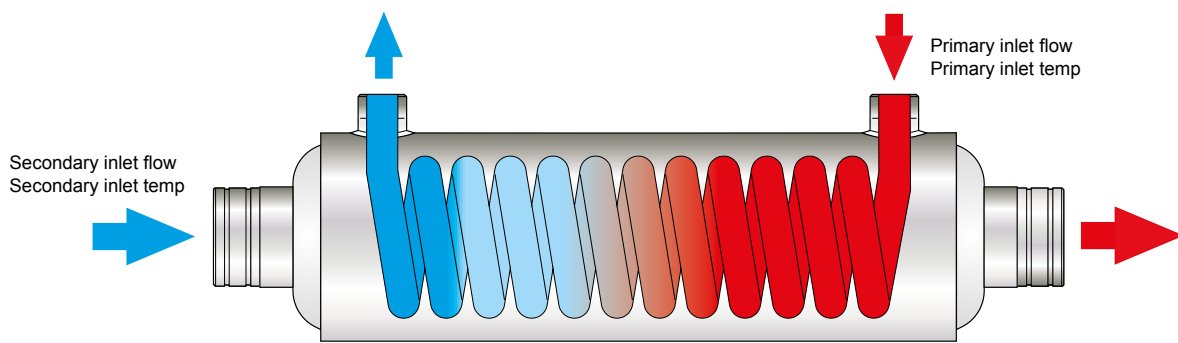
Which heat exchanger should you choose?

Technical data		Capacity			Primary, hot water		Secondary, pool water		
Item no.	Model	kW	kBtu/h	kcal	l/min	press. drop H(m)	l/min	press. drop H(m)	kg
11332	T 28	28	95	24 075	20	1	300	1.1	1.9
11333	T 40	40	135	34 393	40	2.3	350	1.7	2.0
11334	T 75	75	260	64 480	45	5.2	350	1.7	2.9

Capacity at 60° temperature difference for 11332 and 11333. Capacity at 70° temperature difference for 11334



Dimensions								
Item no.	kW	A	B	C	D	E	F	G
11332	28	139	113	1½"	470	95	1"	51
11333	40	139	127	1½"	510	108	1"	51
11334	75	139	127	1½"	754	108	1"	51



Hi-Flow titanium should always be mounted horizontal to avoid air pockets.

Installation overview Hi-Flow titanium

1. Skimmer
2. Light
3. Jet Swim
4. Inlet
5. Main drain
6. Pump
7. Filter
8. Heat exchanger
9. Check valve
10. Boiler
11. Drain

